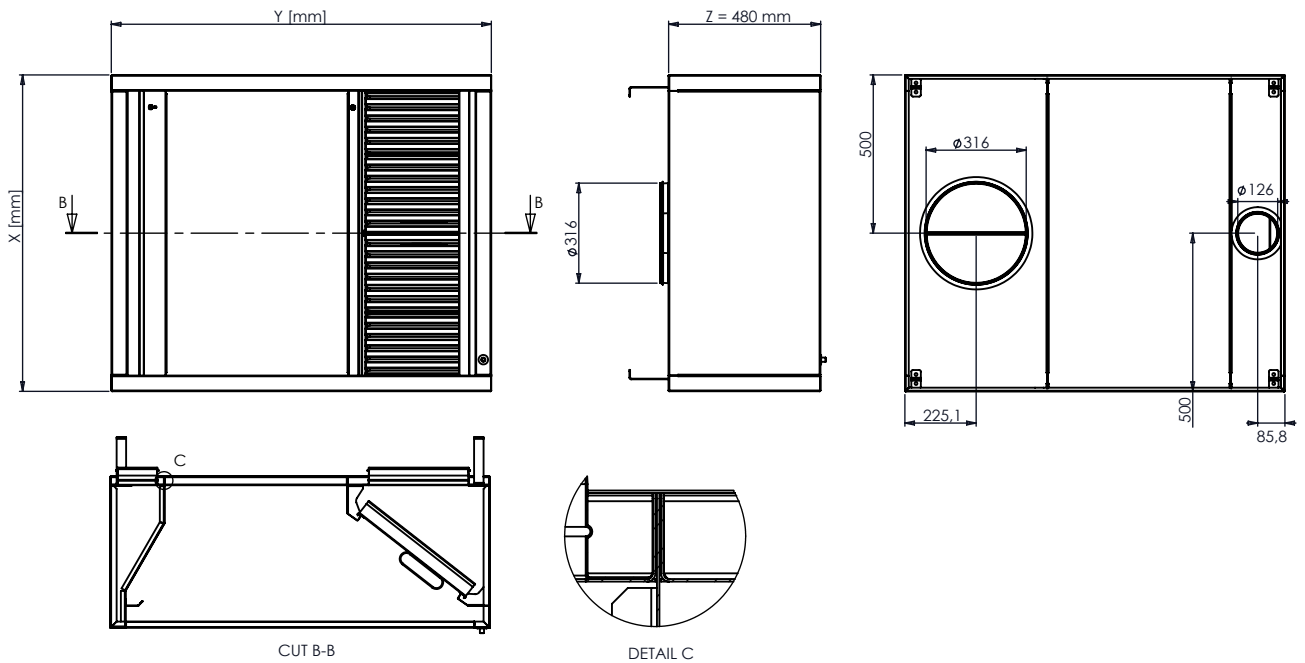


Technical drawing



Illustrative pictures



## SPECIFICATION LIST

MODEL	I.	II.
Notes	Width increases in 100mm steps only! 3000mm and longer hoods are made from 2 modules.	
	1 duct connection	2 duct connections
<b>Outside dimension:</b>		
Width (x) [mm]	800, 900, ..., 2000	2000, 2100, ..., 2900
Depth (y) [mm]	1000, 1100, 1200, 1300, 1400, 1500, 1600, 1800, 2000, 2200, 2400, 2600	
Height (z) [mm]	480	
Material	Stainless steel	