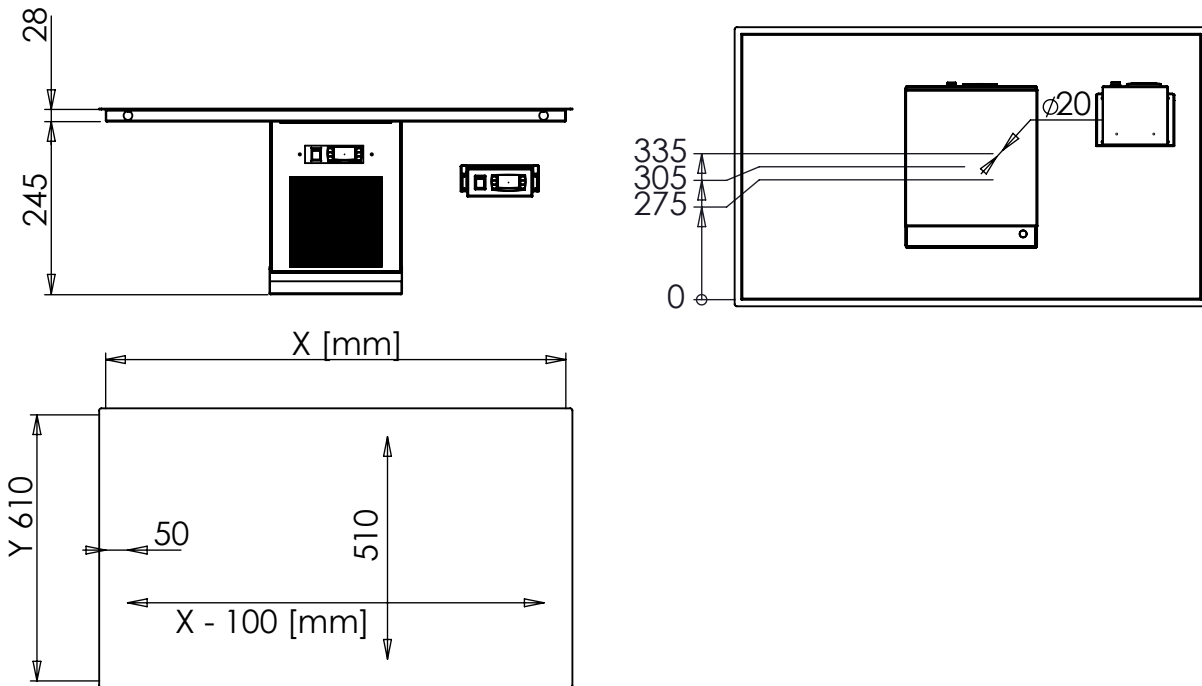


Technical drawing



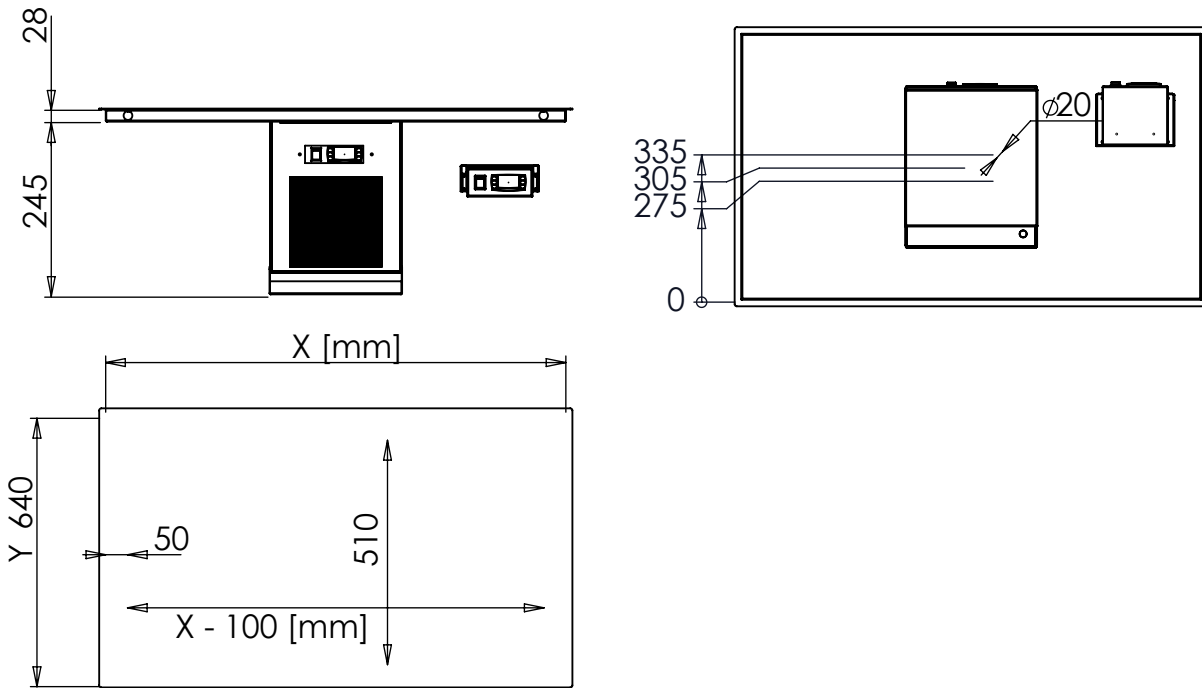
Illustrative pictures



## SPECIFICATION LIST

	SELF CONTAINED	1GN	2GN	3GN	4GN	5GN	6GN
Catalog number							
<b>Outside dimension:</b>							
Width (x) [mm]		405	730	1055	1380	1705	2030
Depth (y) [mm]		610	610	610	610	610	610
<b>Installation dimensions:</b>							
Width (x) [mm]		405	730	1055	1380	1705	2030
Depth (y) [mm]		610	610	610	610	610	610
Cooling medium		R600	R600	R600	R290	R290	R290
Temperature		+2°C ~ 5°C					
Voltage		1, N, PE ~ 230V, 50Hz					
Power input		100W	150W	220W	240W	240W	280W
Refr. capacity (evap. @ -10°C)		130W	170W	280W	350W	350W	420W
Material		AISI 304					
SPL (distance 1m)		35 - 45 dB(A)					

Technical drawing



Illustrative pictures



## SPECIFICATION LIST

	SELF CONTAINED	1GN	2GN	3GN	4GN	5GN	6GN
Catalog number							
<b>Outside dimension:</b>							
Width (x) [mm]		435	760	1085	1410	1735	2060
Depth (y) [mm]		640	640	640	640	640	640
<b>Cut out:</b>							
Width (x) [mm]		410	735	1060	1385	1710	2035
Depth (y) [mm]		615	615	615	615	615	615
Cooling medium		R600	R600	R600	R290	R290	R290
Temperature		+2°C ~ 5°C					
Voltage		1, N, PE ~ 230V, 50Hz					
Power input		100W	150W	220W	240W	240W	280W
Refr. capacity (evap. @ -10°C)		130W	170W	280W	350W	350W	420W
Material		AISI 304					
SPL (distance 1m)		35 - 45 dB(A)					