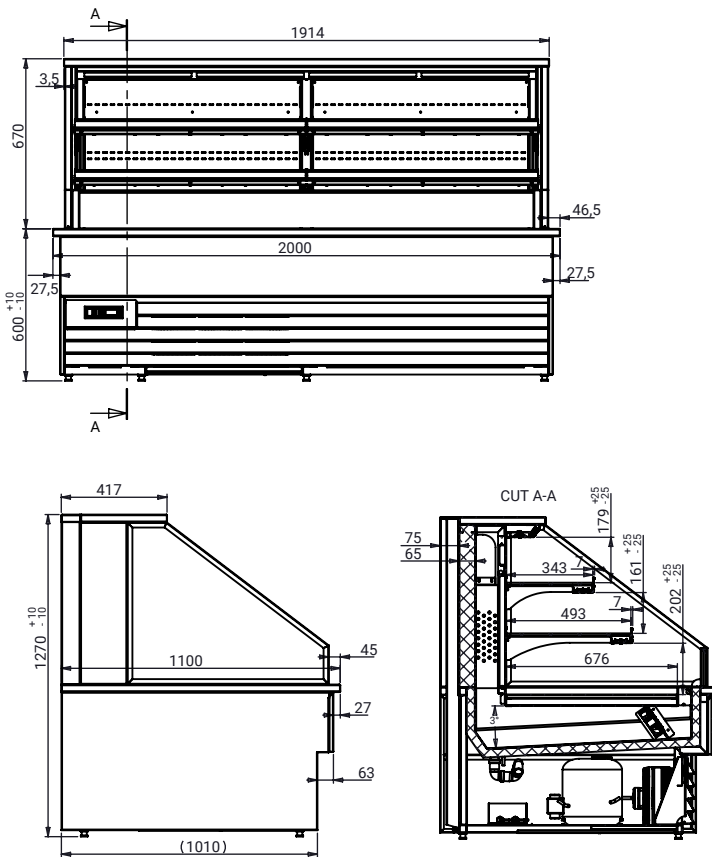


Technical drawing



Product pictures



SPECIFICATION LIST

MODEL

Outside dimension:

	Width (x) [mm]	2000
	Depth (y) [mm] x Height (z) [mm]	1100 x 1270
	Temperature	0°C ~ +6°C
	Cooling medium	R449A
	Refr. capacity (evap. @ -10°C)	2,3 kW
	Voltage	230V, 50Hz
	Power input	1,1 kW
	SPL (distance 1m)	62dB(A)