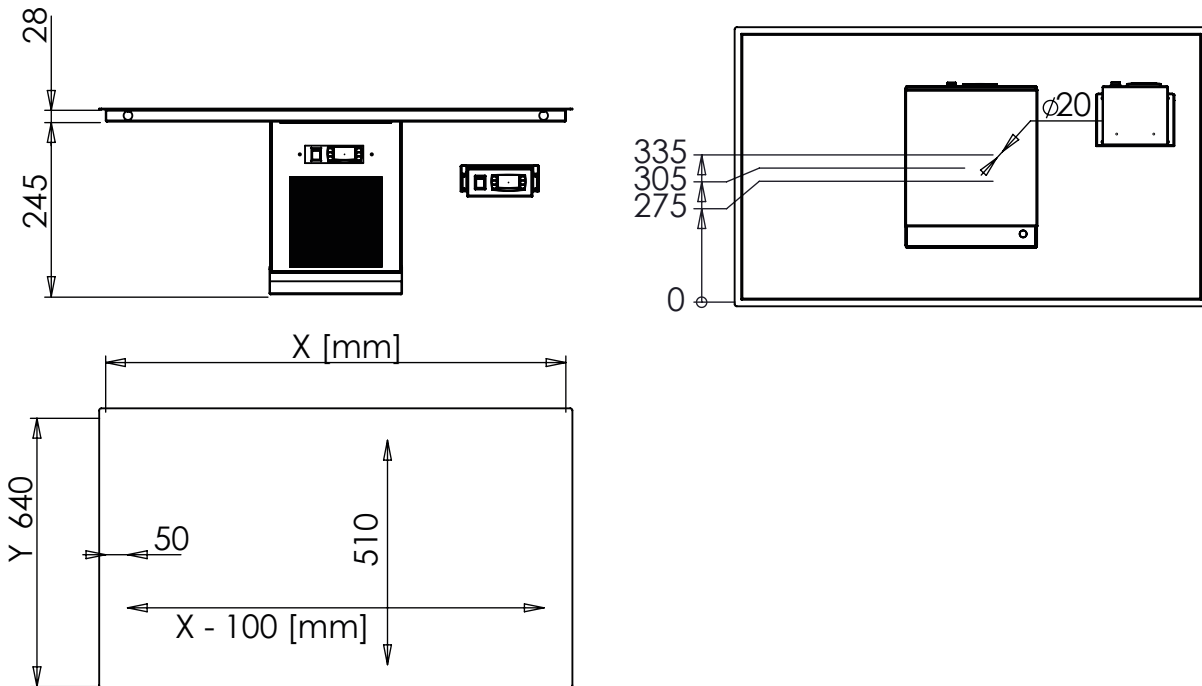


Technical drawing



Illustrative pictures



SPECIFICATION LIST

	SELF CONTAINED	1GN	2GN	3GN	4GN	5GN	6GN
Catalog number							
Outside dimension:							
Width (x) [mm]		435	760	1085	1410	1735	2060
Depth (y) [mm]		640	640	640	640	640	640
Cut out:							
Width (x) [mm]		410	735	1060	1385	1710	2035
Depth (y) [mm]		615	615	615	615	615	615
Cooling medium		R600	R600	R600	R290	R290	R290
Temperature		+2°C ~ 5°C					
Voltage		1, N, PE ~ 230V, 50Hz					
Power input		100W	150W	220W	240W	240W	280W
Refr. capacity (evap. @ -10°C)		130W	170W	280W	350W	350W	420W
Material		AISI 304					