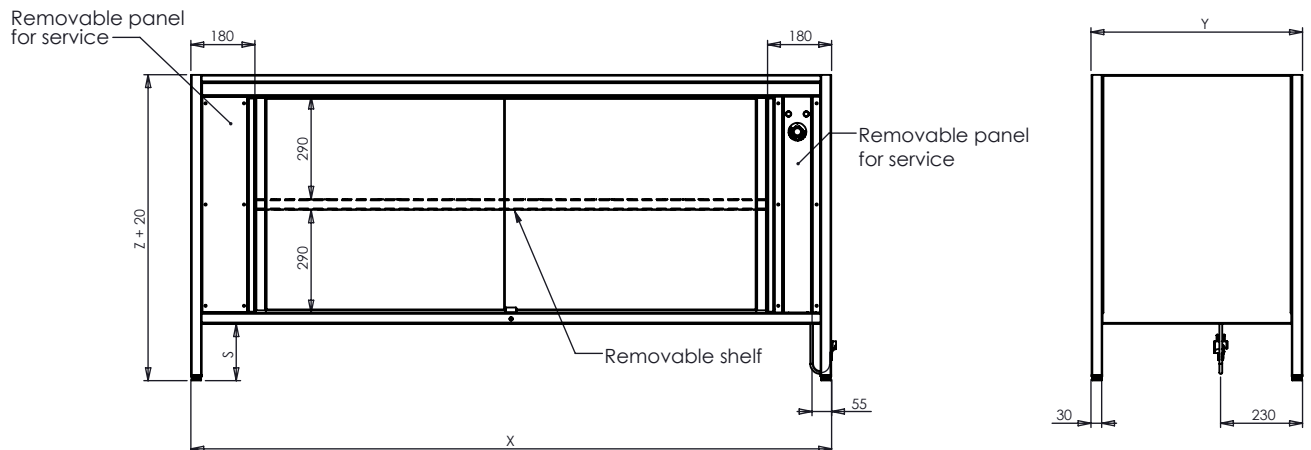





Technical drawing



Illustrative pictures



SPECIFICATION LIST

SELF CONTAINED	I.	II.	III.	IV.	V.	VI.
Catalog number						
Outside dimension:						
Width (x) [mm]	1800	1800	2000	2000	2200	2200
 Depth (y) [mm]	594	700	594	700	594	700
Height (z) [mm]	860	860	860	860	860	860
Headroom (s) [mm]	160 or 260	160 or 260	160 or 260	160 or 260	160 or 260	160 or 260
 Temperature	30 - 90 °C					
Voltage	1, N, PE ~ 230V, 50Hz					
 Power input	2, 1 kW	2, 1 kW	2, 1 kW	2, 1 kW	2, 1 kW	2, 1 kW
Material	Stainless steel					
Spare parts*						

Heating cabinet is not insulated and is therefore not intended for heating food.