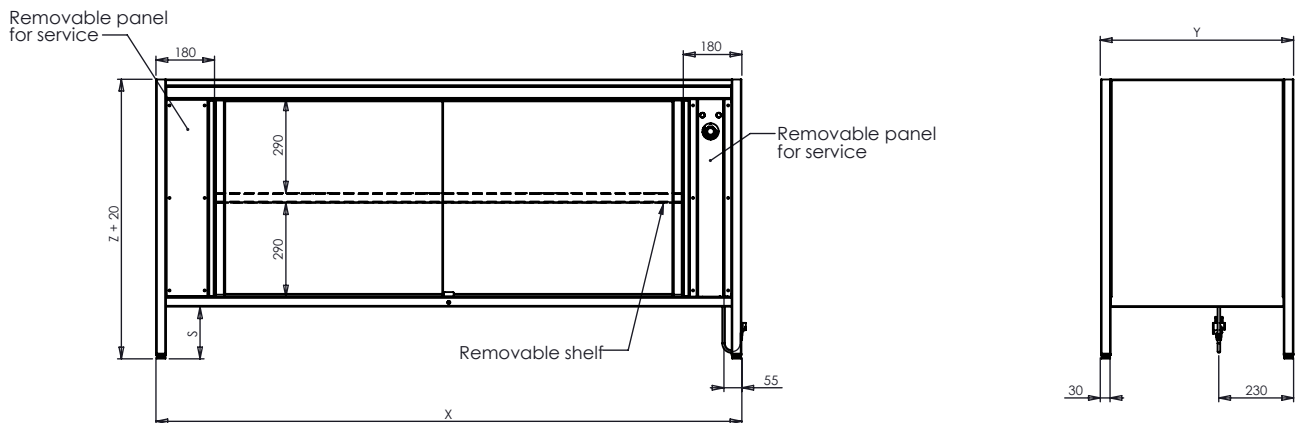


Technical drawing



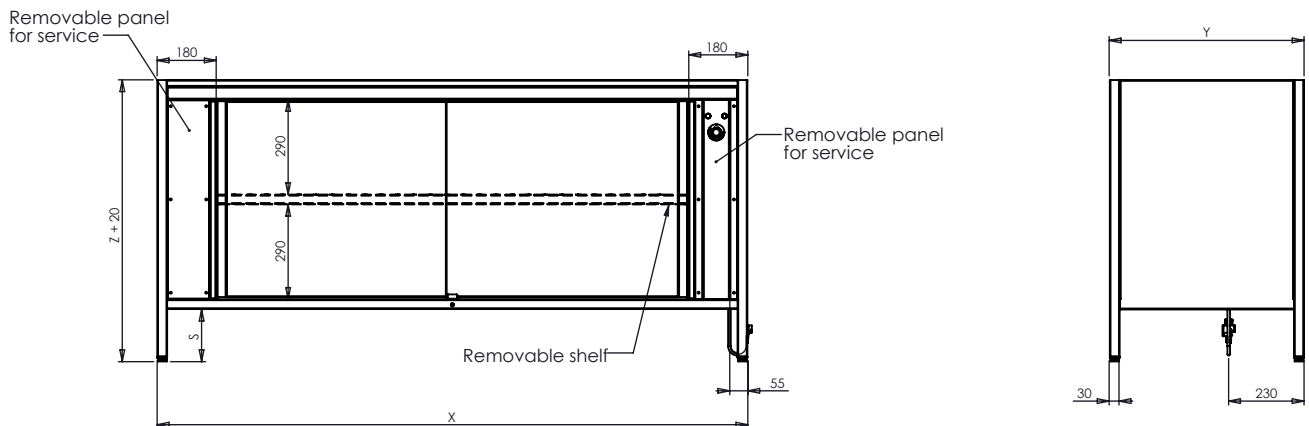
Illustrative pictures



SPECIFICATION LIST

SELF CONTAINED	I.	II.	III.	IV.	V.	VI.
Catalog number						
Outside dimension:						
Width (x) [mm]	1800	1800	1800	1800	2000	2000
Depth (y) [mm]	594	700	760	860	594	700
Height (z) [mm]	860	860	860	860	860	860
Headroom (s) [mm]	160 or 260	160 or 260	160 or 260	160 or 260	160 or 260	160 or 260
Temperature	30 - 90 °C					
Voltage	1, N, PE ~ 230V, 50Hz					
Power input	2,1 kW	2,1 kW	2,1 kW	2,1 kW	2,1 kW	2,1 kW
Material	Stainless steel					
Spare parts*						

Technical drawing



Illustrative pictures



SPECIFICATION LIST

SELF CONTAINED	VII.	VIII.	IX.	X.	XI.	XII.
Catalog number						
Outside dimension:						
Width (x) [mm]	2000	2000	2200	2200	2200	2200
Depth (y) [mm]	760	860	594	700	760	860
Height (z) [mm]	860	860	860	860	860	860
Headroom (s) [mm]	160 or 260	160 or 260	160 or 260	160 or 260	160 or 260	160 or 260
Temperature	30 - 90 °C					
Voltage	1, N, PE ~ 230V, 50Hz					
Power input	2,1 kW	2,1 kW	2,1 kW	2,1 kW	2,1 kW	2,1 kW
Material	Stainless steel					
Spare parts*						