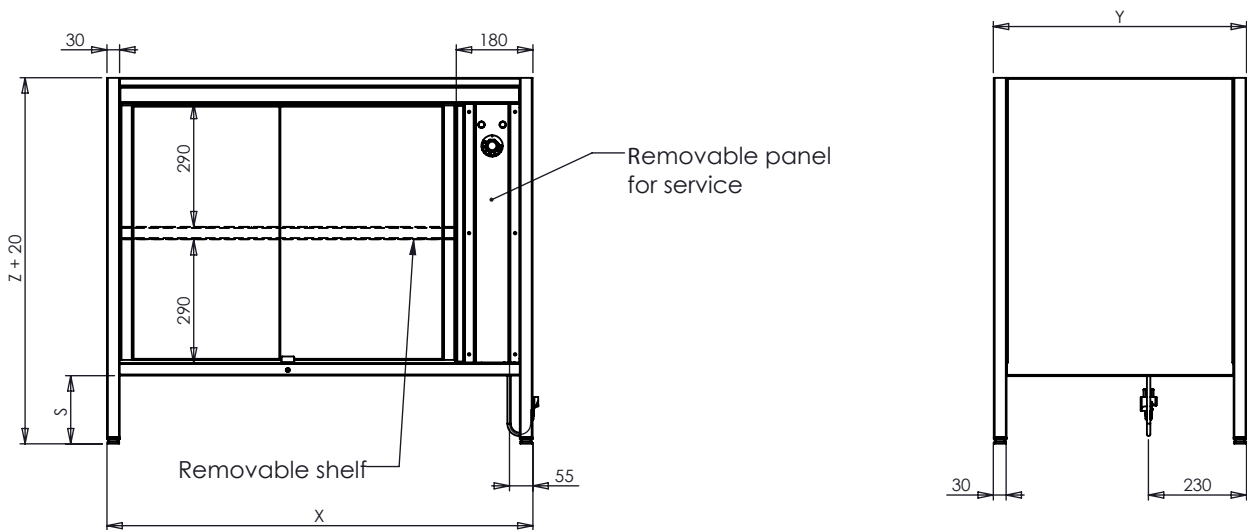


Technical drawing



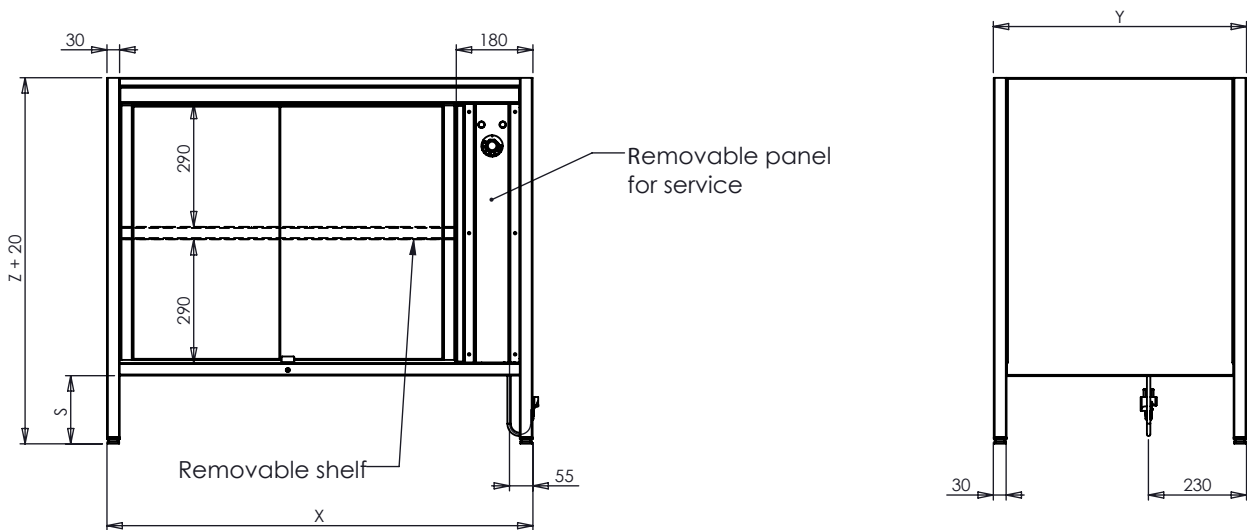
Illustrative pictures



SPECIFICATION LIST

SELF CONTAINED	I.	II.	III.	IV.	V.	VI.	VII.	VIII.
Catalog number								
Outside dimension:								
Width (x) [mm]	800	800	800	800	1000	1000	1000	1000
Depth (y) [mm]	594	700	760	860	594	700	760	860
Height (z) [mm]	860	860	860	860	860	860	860	860
Headroom (s) [mm]	160 or 260	160 or 260	160 or 260	160 or 260	160 or 260	160 or 260	160 or 260	160 or 260
Temperature	30 - 90 °C							
Voltage	1, N, PE ~ 230V, 50Hz							
Power input	1, 1 kW	1, 1 kW	1, 1 kW	1, 1 kW	1, 1 kW	1, 1 kW	1, 1 kW	1, 1 kW
Material	Stainless steel							
Spare parts*								

Technical drawing



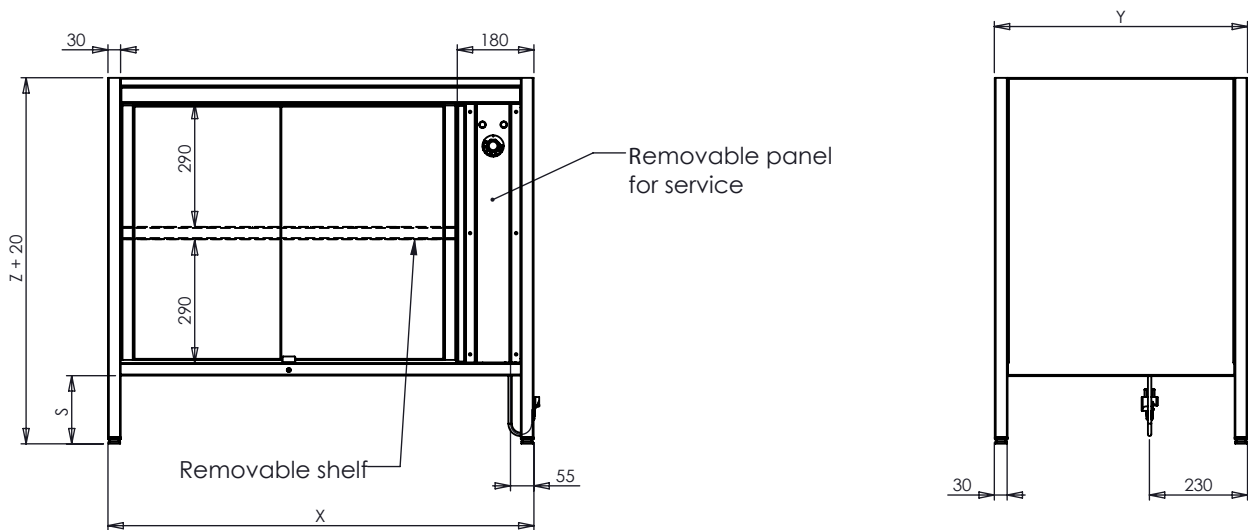
Illustrative pictures



SPECIFICATION LIST

SELF CONTAINED	IX.	X.	XI.	XII.	XIII.	XIV.	XV.	XVI.
Catalog number								
Outside dimension:								
Width (x) [mm]	1200	1200	1200	1200	1400	1400	1400	1400
Depth (y) [mm]	594	700	760	860	594	700	760	860
Height (z) [mm]	860	860	860	860	860	860	860	860
Headroom (s) [mm]	160 or 260	160 or 260	160 or 260	160 or 260	160 or 260	160 or 260	160 or 260	160 or 260
Temperature	30 - 90 °C							
Voltage	1, N, PE ~ 230V, 50Hz							
Power input	1, 1 kW	1, 1 kW	1, 1 kW	1, 1 kW	1, 1 kW	1, 1 kW	1, 1 kW	1, 1 kW
Material	Stainless steel							
Spare parts*								

Technical drawing



Illustrative pictures



SPECIFICATION LIST

SELF CONTAINED	XVII.	XVIII.	XIX.	XX.
Catalog number				
Outside dimension:				
Width (x) [mm]	1600	1600	1600	1600
Depth (y) [mm]	594	700	760	860
Height (z) [mm]	860	860	860	860
Headroom (s) [mm]	160 or 260	160 or 260	160 or 260	160 or 260
Temperature	30 - 90 °C			
Voltage	1, N, PE ~ 230V, 50Hz			
Power input	1, 1 kW	1, 1 kW	1, 1 kW	1, 1 kW
Material	Stainless steel			
Spare parts*				