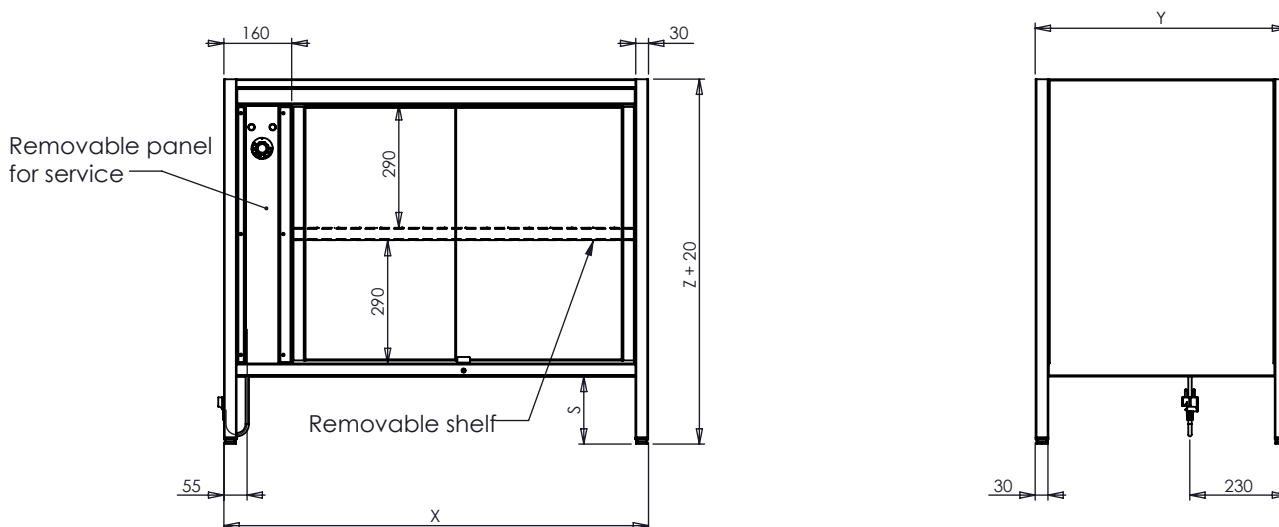


# Hot cupboard unilateral left with sliding doors




## Technical drawing



## Illustrative pictures



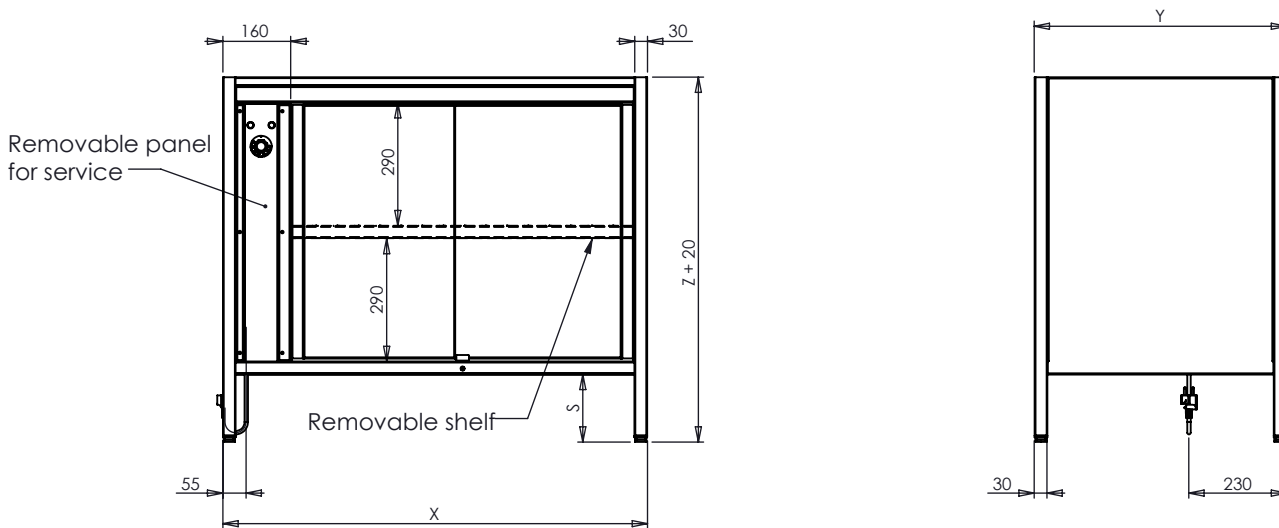
## SPECIFICATION LIST

SELF CONTAINED	I.	II.	III.	IV.	V.
Catalog number					
<b>Outside dimension:</b>					
Width (x) [mm]	800	800	1000	1000	1200
 Depth (y) [mm]	594	700	594	700	594
Height (z) [mm]	860	860	860	860	860
Headroom (s) [mm]	160 or 260	160 or 260	160 or 260	160 or 260	160 or 260
 Temperature	30 - 90 °C				
Voltage	1, N, PE ~ 230V, 50Hz				
 Power input	1,1 kW	1,1 kW	1,1 kW	1,1 kW	1,1 kW
Material	Stainless steel				
Spare parts*					

Heating cabinet is not insulated and is therefore not intended for heating food.

# 03 Hot cupboard unilateral left with sliding doors

Technical drawing



Illustrative pictures



## SPECIFICATION LIST

SELF CONTAINED	VI.	VII.	VIII.	IX.	X.
Catalog number					
<b>Outside dimension:</b>					
Width (x) [mm]	1200	1400	1400	1600	1600
Depth (y) [mm]	700	594	700	594	700
Height (z) [mm]	860	860	860	860	860
Headroom (s) [mm]	160 or 260	160 or 260	160 or 260	160 or 260	160 or 260
Temperature			30 - 90 °C		
Voltage			1, N, PE ~ 230V, 50Hz		
Power input	1,1 kW	1,1 kW	1,1 kW	1,1 kW	1,1 kW
Material			Stainless steel		
Spare parts*					

Heating cabinet is not insulated and is therefore not intended for heating food.