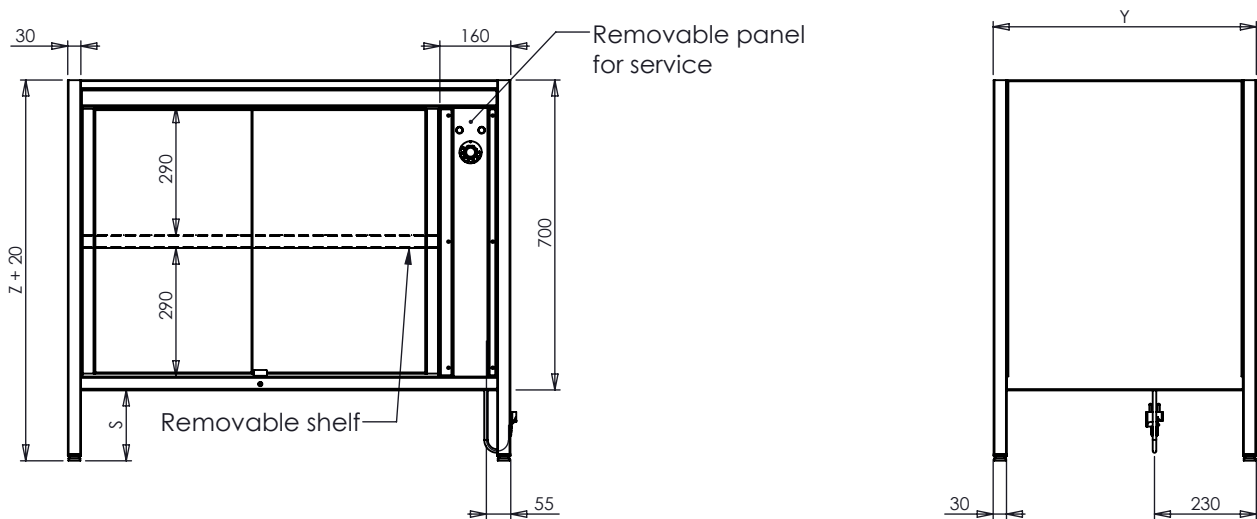


Hot cupboard unilateral right with sliding doors




Technical drawing



Illustrative pictures



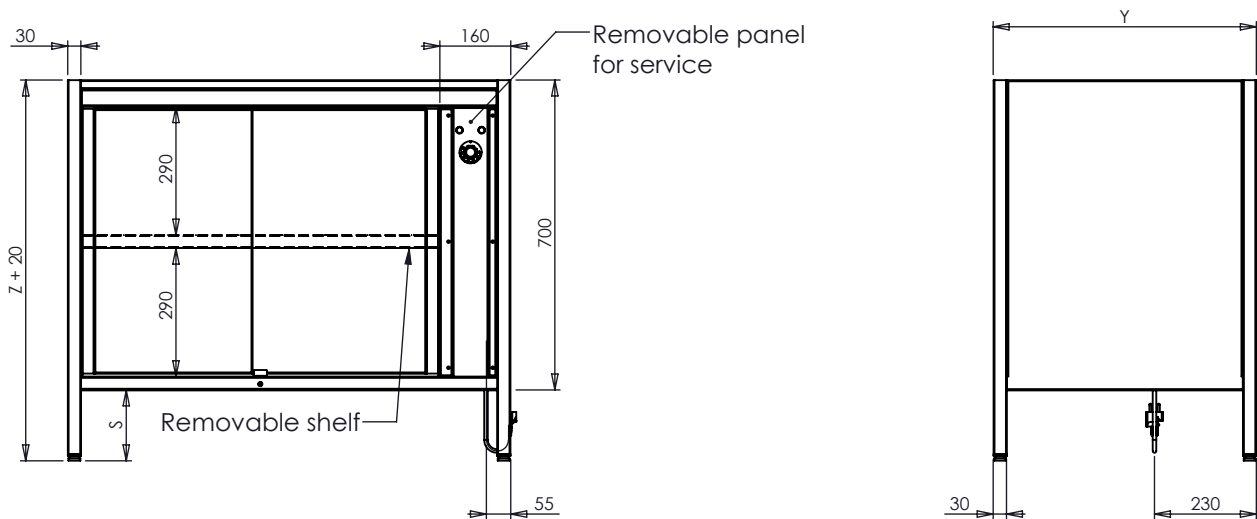
SPECIFICATION LIST

SELF CONTAINED	I.	II.	III.	IV.	V.
Catalog number					
Outside dimension:					
Width (x) [mm]	800	800	1000	1000	1200
 Depth (y) [mm]	594	700	594	700	594
Height (z) [mm]	860	860	860	860	860
Headroom (s) [mm]	160 or 260	160 or 260	160 or 260	160 or 260	160 or 260
 Temperature	30 - 90 °C				
Voltage	1, N, PE ~ 230V, 50Hz				
 Power input	1, 1 kW	1, 1 kW	1, 1 kW	1, 1 kW	1, 1 kW
Material	Stainless steel				
Spare parts*					

Heating cabinet is not insulated and is therefore not intended for heating food.

Hot cupboard unilateral right with sliding doors




Technical drawing



Illustrative pictures



SPECIFICATION LIST

SELF CONTAINED	VI.	VII.	VIII.	IX.	X.
Catalog number					
Outside dimension:					
Width (x) [mm]	1200	1400	1400	1600	1600
 Depth (y) [mm]	700	594	700	594	700
Height (z) [mm]	860	860	860	860	860
Headroom (s) [mm]	160 or 260	160 or 260	160 or 260	160 or 260	160 or 260
 Temperature					
Voltage					
 Power input	1, 1 kW	1, 1 kW	1, 1 kW	1, 1 kW	1, 1 kW
Material					
Spare parts*					

Heating cabinet is not insulated and is therefore not intended for heating food.