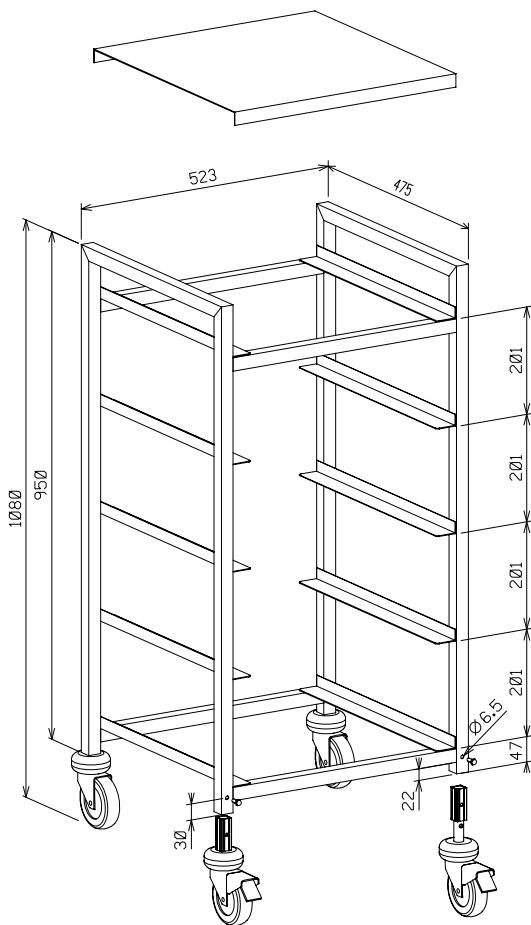


# 03 Special trolley 1929-4

Technical drawing



Illustrative pictures



## SPECIFICATION LIST

SELF CONTAINED		I.
Catalog number		
Width (x) [mm]		523
Depth (y) [mm]		475
Height (z) [mm]		1080
Number of inserts for trays		4
Lifting capacity [kg]		220
Wheels	Galvanized swivel castors Ø 100mm, 2 with brake	
Material	Stainless Steel	
Additional information		
Spare parts*		