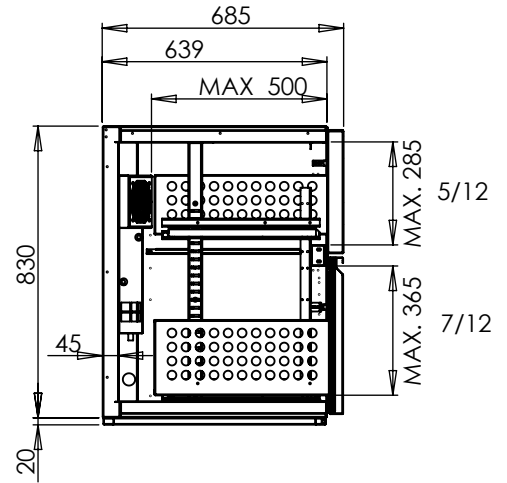
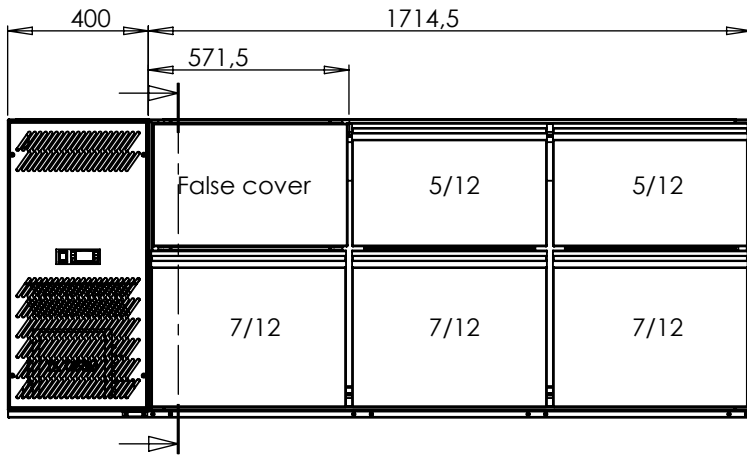
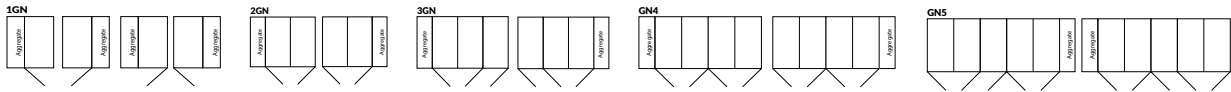


Technical drawing



Illustrative pictures



SPECIFICATION LIST

	SELF CONTAINED	1K	2K	3K	4K
Outside dimension:					
Width (x) [mm]		972	1543	2115	2686
Depth (y) [mm]		685	685	685	685
Height (z) [mm]		850	850	850	850
SPL (distance 1m)				35 - 50 dB(A)	
Temperature				2°C +8°C	
Cooling medium		R600	R290 85g	R290 95g	R290 95g
Refr. capacity (evap. @ -10°C)		0,17kW	0,35kW	0,42kW	0,42kW
Izolation				45 mm	
Voltage				230 V / 50 Hz	
Power input		0,2kW	0,28kW	0,33kW	0,33kW
Material				1.4301	
measurement in (mm)		Standard			Min
AGGREGATE					
↔	Outside dimension: Width	400			270
CONTROL PANEL					
↔	Outside dimension: Width	180			100